

Termination available:

Inside Screw Terminal

Enclosure Screws

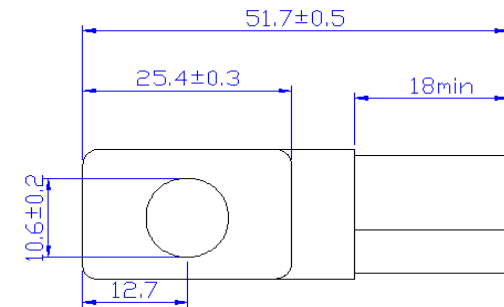
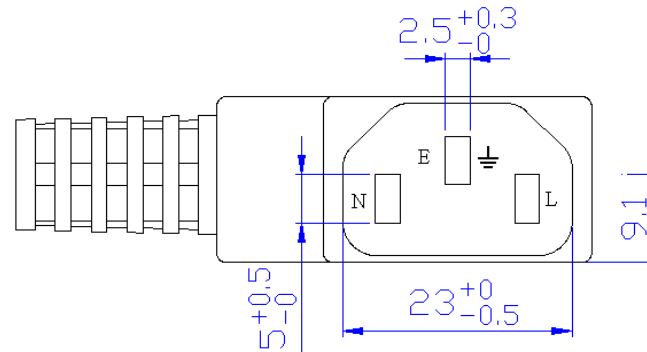
Specifications:

Contact Material: Nickel Plated Brass
 Body Material: Nylon 6.6 94 V0
 Manufacturers Specification: EN60320
 UL 817 - 498

International Amperage: 10 Amp
 Voltage: 250 Volt

UL / CSA Amperage: 15 Amp.
 Voltage: 125 Volt:

All Dimensions are in mm



675 S. Lively Blvd.
 Elk Grove Village
 Illinois 60007

Agency Approvals



CUSTOMER	000000000000
PARTNO.	000000000000

DATE: 08.28.2003	Drawn By: J.Balck	GENERAL SPECIFICATION	PAGE: 1 OF 1	
CHANGE ISSUE:			Power Female Connector 90 ° Right IEC 320 - C13 For Mechanical Assembly	DWG.NO. WS - 002 - A2
APPROVED				