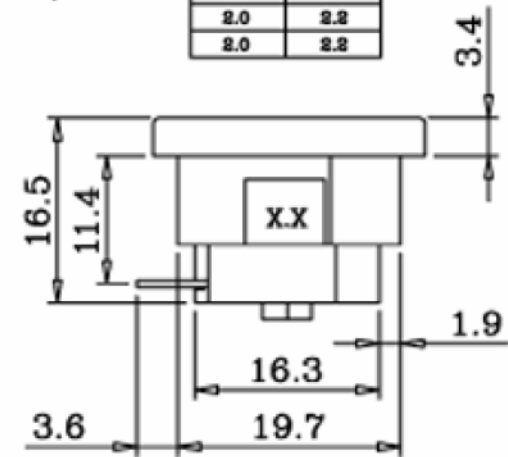
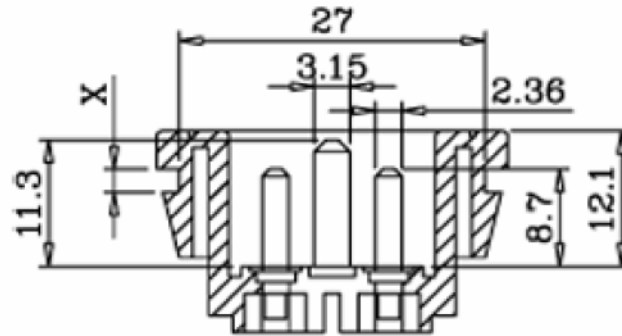


XX	X
1.0	1.2
1.5	1.7
2.0	2.2
2.0	2.2



Termination available:

PCB Terminals 3.50mm

Specifications:

Contact Material: Nickel Plated Brass  
 Body Material: Nylon 6.6 94 V0  
 Manufacturers: EN60320  
 Specification: UL 498

International

Amperage: 10 Amp  
 Voltage: 250 Volt

UL / CSA

Amerage: 15 Amp.  
 Voltage: 125 Volt:

All Dimensions are in mm



675 S. Lively Blvd.  
 Elk Grove Village  
 Illinois 60007

Agency Approvals



CUSTOMER	
PARTNO.	

DATE: 02.15.2010	Drawn By: J.Balck
---------------------	----------------------

**GENERAL SPECIFICATION**

PAGE: 1	OF 1
---------	------

CHANGE ISSUE:
APPROVED

**Power Inlet IEC 320 - C6**

DWG.NO. AEL - JR 307SB-PCB	REV. 0
-------------------------------	-----------