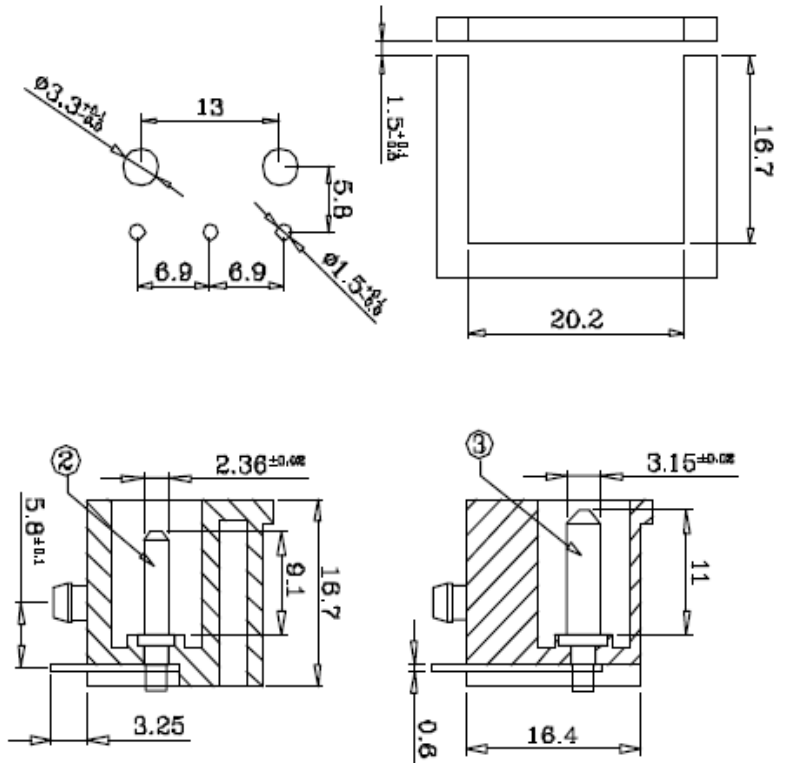


P.C.B HOLE DETAIL



Termination available:

PCB Terminals 3.50mm

Specifications:

Contact Material: Nickel Plated Brass
 Body Material: Nylon 6.6 94 V0
 Manufacturers: EN60320
 Specification: UL 498

International

Amperage: 10 Amp
 Voltage: 250 Volt

UL / CSA

Amerage: 15 Amp.
 Voltage: 125 Volt:

All Dimensions are in mm



675 S. Lively Blvd.
 Elk Grove Village
 Illinois 60007

Agency Approvals



CUSTOMER	
PARTNO.	

DATE: 02.15.2010	Drawn By: J.Balck	GENERAL SPECIFICATION	PAGE: 1 OF 1	
CHANGE ISSUE:	APPROVED		Power Inlet IEC 320 - C6	DWG.NO. AEL - JR 307E-PCA