


Termination available:

Solder Terminals 

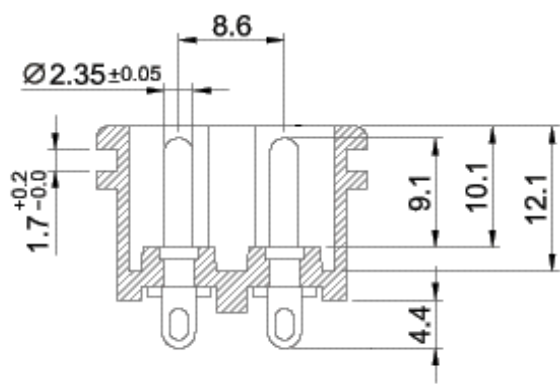
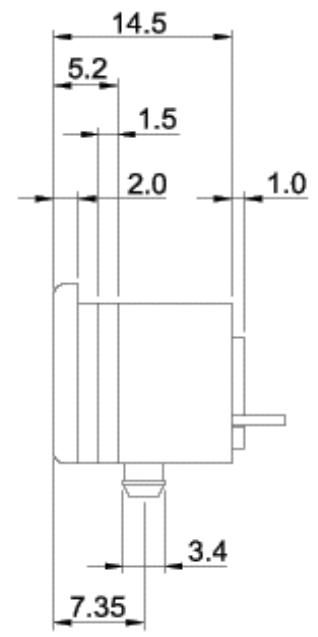
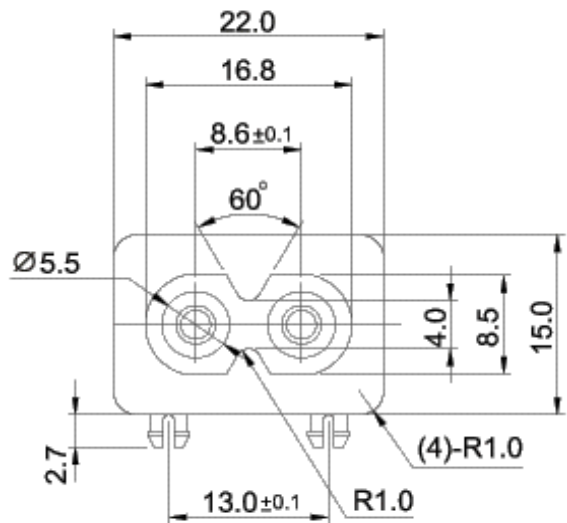
Specifications:

Contact Material: Nickel Plated Brass
 Body Material: Nylon 6.6 94 V0
 Manufacturers: EN60320
 Specification: UL 498

International
 Amperage: 2.5 Amp
 Voltage: 250 Volt

UL / CSA
 Amperage: 2.5 Amp.
 Voltage: 125 Volt:

All Dimensions are in mm



| | | | |
|--|----------------------|------------------------------|----------------------------------|
|  | | CUSTOMER | |
| | | PARTNO. | |
| DATE: October 2004 | Drawn By: J.Balck | GENERAL SPECIFICATION | |
| CHANGE ISSUE: | | | |
| APPROVED | | Power Inlet IEC 320-C8 | DWG.NO. AEL-JR201SE(S) |
| | | | REV. 0 |



675 S. Lively Blvd.
 Elk Grove Village
 Illinois 60007