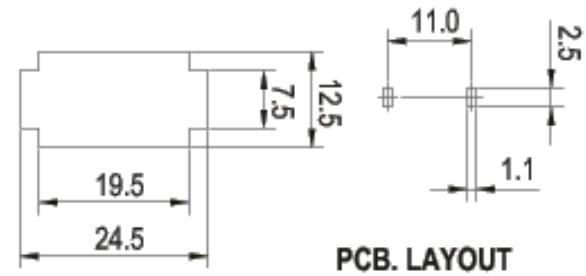
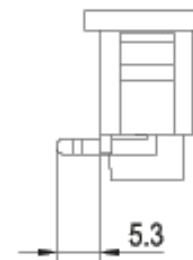
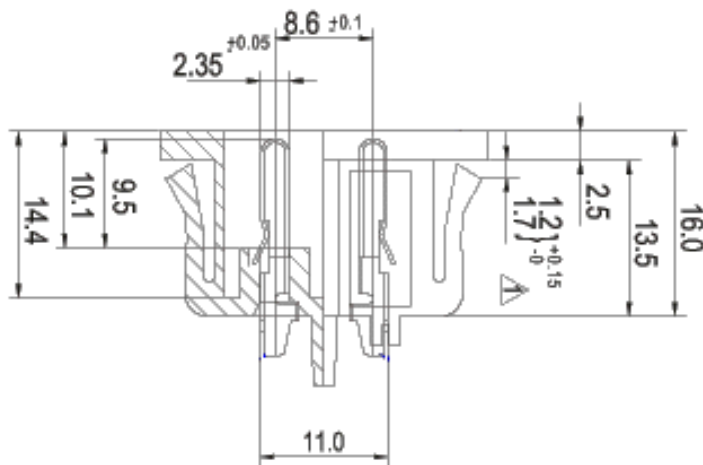


THICKNESS:
0.8 ~ 1.5t



PCB. LAYOUT



Termination available:

PCB Terminals
See Chart in Catalog

Specifications:

Contact Material: Nickel Plated Brass
Body Material: Nylon 6.6 94 V0
Manufacturers Specification: EN60320
Specification: UL 498

International Amperage: 2.5 Amp
Voltage: 250 Volt

UL / CSA Amperage: 2.5 Amp.
Voltage: 125 Volt:

All Dimensions are in mm

Agency Approvals



CUSTOMER

PARTNO.



675 S. Lively Blvd.
Elk Grove Village
Illinois 60007

DATE:
October 2004

Drawn By:
J.Balck

GENERAL SPECIFICATION

PAGE: 1 OF 1

CHANGE ISSUE:

Power Inlet IEC 320-C8

DWG.NO.
AEL-JR 201-S-PCB
REV.
0

APPROVED