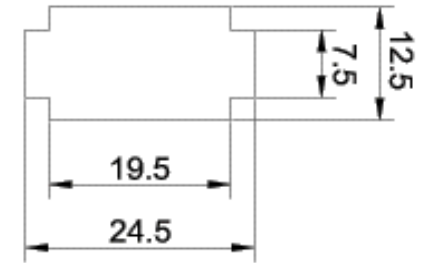
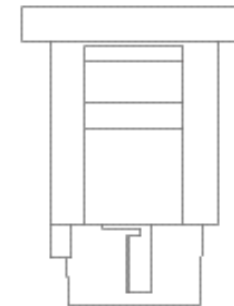
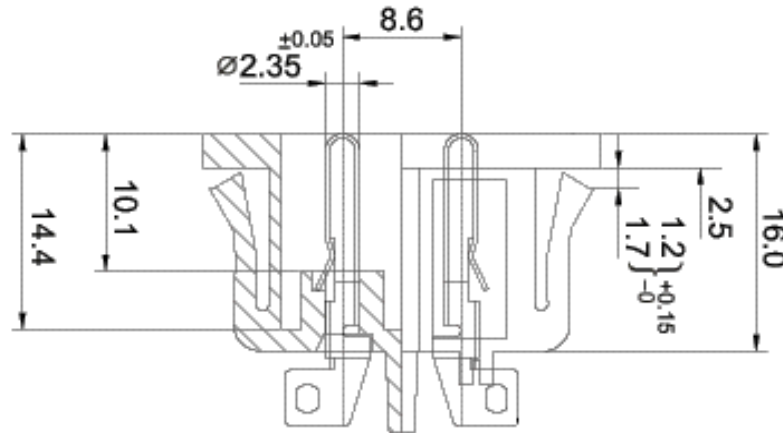


THICKNESS:  
0.8 ~ 1.5 t



PANEL CUT-OUT



Termination available:

Solder Terminals



**Specifications:**

Contact Material: Nickel Plated Brass  
 Body Material: Nylon 6.6 94 V0  
 Manufacturers Specification: EN60320  
 Specification: UL 498

International Amperage: 2.5 Amp  
 Voltage: 250 Volt

UL / CSA Amperage: 2.5 Amp.  
 Voltage: 125 Volt:

All Dimensions are in mm

Agency Approvals



CUSTOMER

PARTNO.



675 S. Lively Blvd.  
 Elk Grove Village  
 Illinois 60007

DATE:  
October 2004

Drawn By:  
J.Balck

GENERAL SPECIFICATION

PAGE: 1 OF 1

CHANGE ISSUE:

Power Inlet IEC 320-C8

DWG.NO.  
AEL-JR201-S

REV.  
0

APPROVED