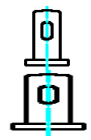


Termination available:

4.8 mm (.187) Fast-on Terminals

6.3 mm (.250) Fast-on Terminals



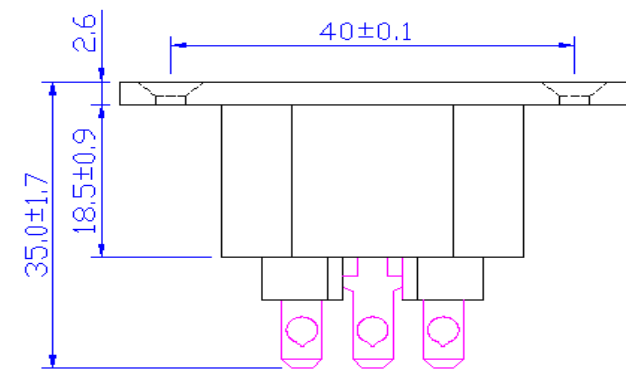
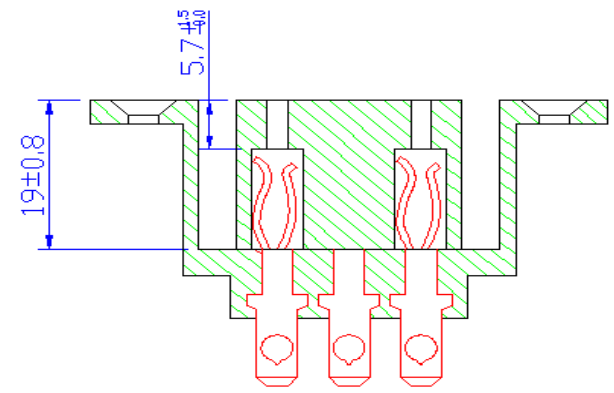
Specifications:

Contact Material: Nickel Plated Brass
 Body Material: Nylon 63.6 94 V0
 Manufacturers: EN60320
 Specification: UL 498

International Amperage: 10 Amp
 Voltage: 250 Volt

UL / CSA Amperage: 15 Amp.
 Voltage: 125 Volt:

All Dimensions are in mm



675 S. Lively Blvd.
 Elk Grove Village
 Illinois 60007

Agency Approvals



CUSTOMER	000000000000
PARTNO.	000000000000

DATE: 08.29.2003	Drawn By: J.Balck
---------------------	----------------------

GENERAL SPECIFICATION

PAGE: 1	OF 1
---------	------

CHANGE ISSUE:	
APPROVED	

**Power Outlet IEC 320 - C13
 For Hooded Male IEC C14
 For Flange Mounting**

DWG.NO. WS - 042	REV. 0
----------------------------	------------------